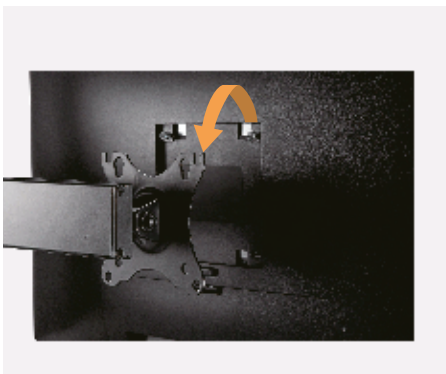


# Easy-To-Adjust **Vertical Lift Monitor Stands**

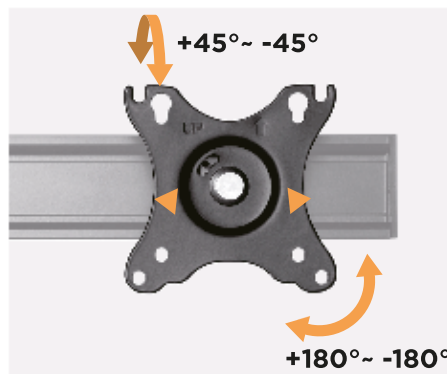
Handle All of Life's Ups and Downs



**Easy-To-Adjust Vertical Lift Monitor Stands**



**Keyhole Pattern Design**  
for quick and easy installation



**Full Range of Adjustments**  
for an optimal viewing position



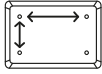
**$+40^{\circ} \sim -40^{\circ}$  Rotating Base**  
provides convenience for  
information sharing

## Easy-To-Adjust Vertical Lift Monitor Stands

### MS401



Screen Size  
17"-32"



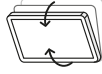
VESA Compatible  
75x75 100x100



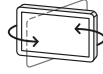
Weight Capacity  
(per screen)  
2-7kg/4.4lbs-15.4lbs



Height Adjustment  
min265mm(10.4")-  
max415mm(16.3")



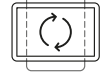
Tilt Range  
+15° - -15°



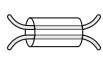
Swivel Range  
+40° - -40°



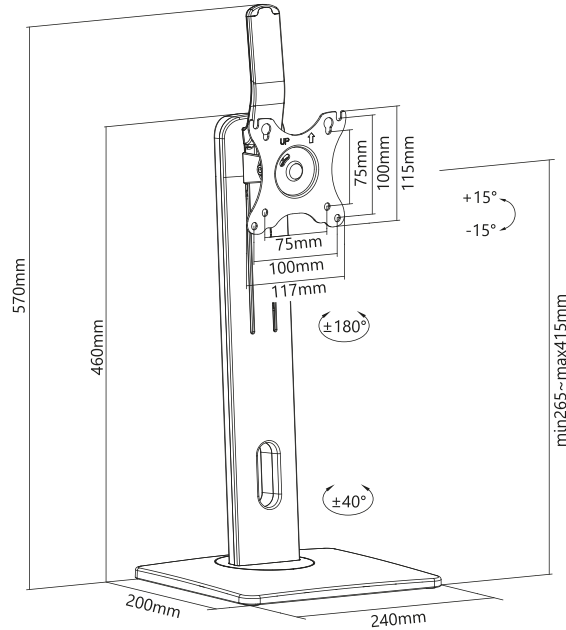
Curved Monitor



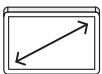
Screen Rotation  
+180°--180°



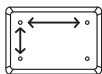
Cable Management



### MS402



Screen Size  
17"-27"



VESA Compatible  
75x75 100x100



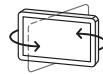
Weight Capacity  
(per screen)  
2-6kg/4.4-13.2lbs



Height Adjustment  
min245mm(9.6")-  
max400mm(15.7)



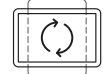
Tilt Range  
+45° - -45°



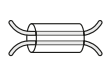
Swivel Range  
+40° - -40°



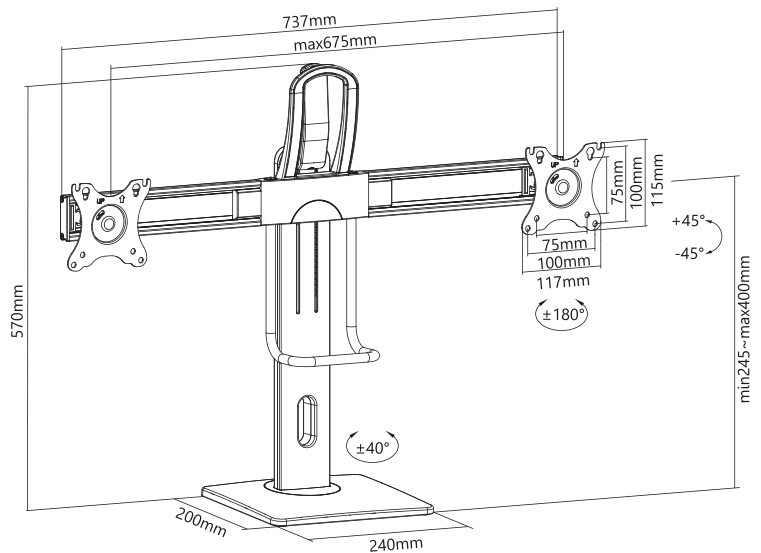
Curved Monitor



Screen Rotation  
+180°--180°



Cable Management



## Economy Steel LCD VESA Desk Mount

For most 13"-27" LCD monitors



Available For  
**Curved Monitor**

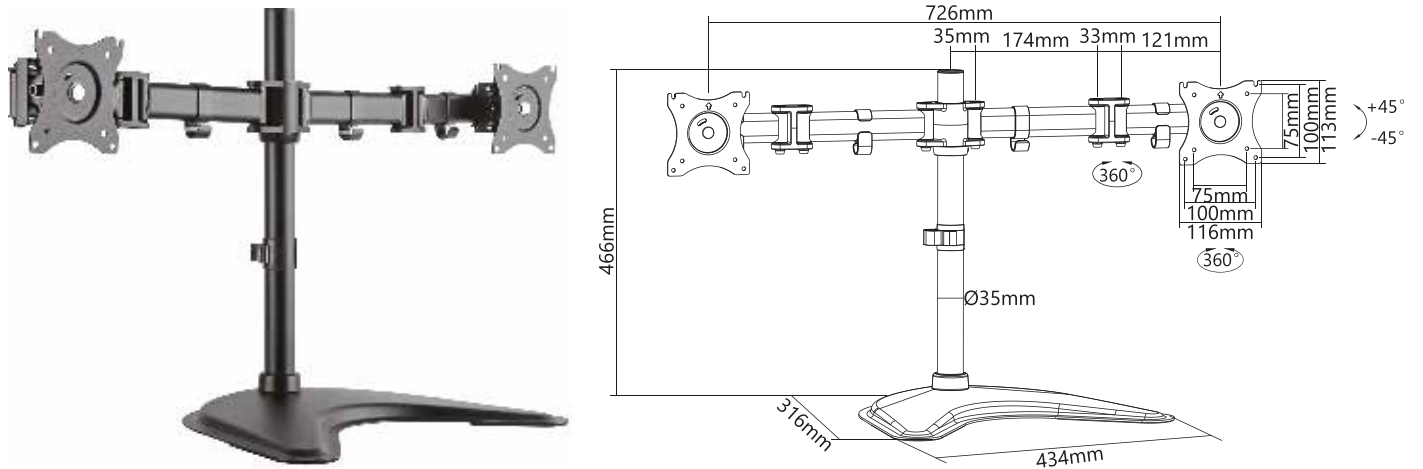


## Economy Steel LCD VESA Desk Mount



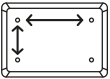
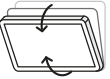
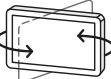
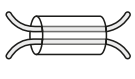
For most 13"-27" LCD monitors

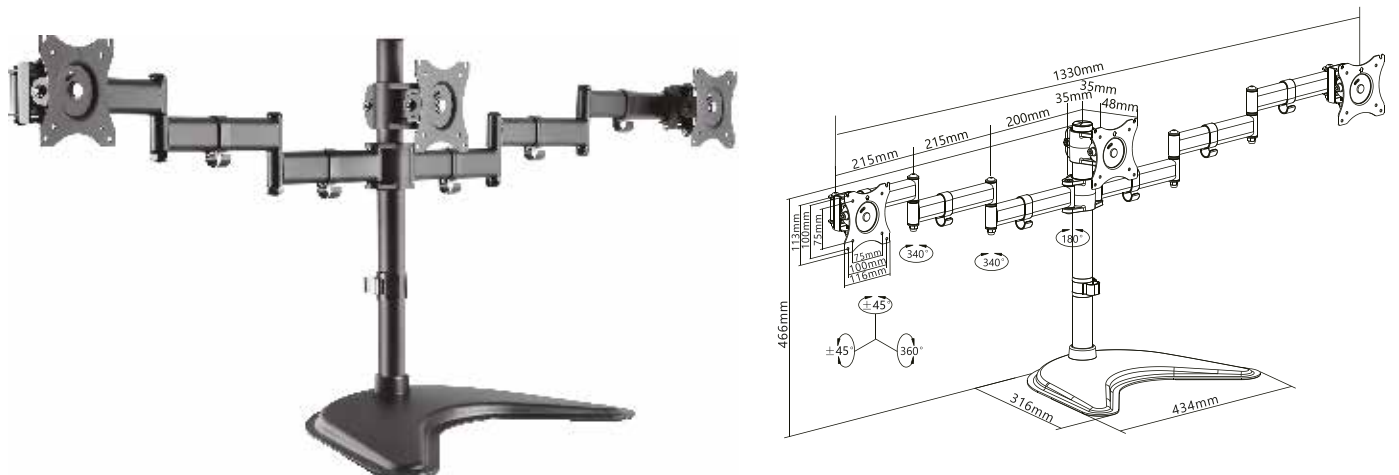
### MS302 Arm Extend: 428mm

-   
**Screen Size**  
**13"-27"**
-   
**Weight Capacity**  
**8kg/17.6lbs**
-   
**VESA Compatible**  
**75x75 100x100**
-   
**Tilt Range**  
**+45° ~ -45°**
-   
**Swivel Range**  
**+90° ~ -90°**
-   
**Screen Rotation**  
**+180° ~ -180°**
-   
**Cable Management**



### MS303 Arm Extend: 200mm

-   
**Screen Size**  
**13"-27"**
-   
**Weight Capacity**  
**8kg/17.6lbs**
-   
**VESA Compatible**  
**75x75 100x100**
-   
**Tilt Range**  
**+45° ~ -45°**
-   
**Swivel Range**  
**+45° ~ -45°**
-   
**Screen Rotation**  
**+180° ~ -180°**
-   
**Cable Management**





FR200

# Ergonomic Tilttable Steel Foot Rest

FR-09 provides an easy solution to relaxing your feet and legs while seated. It allows you to move your feet in a smooth back and forth motion. Take charge of your health by giving your feet and legs the attention they deserve!



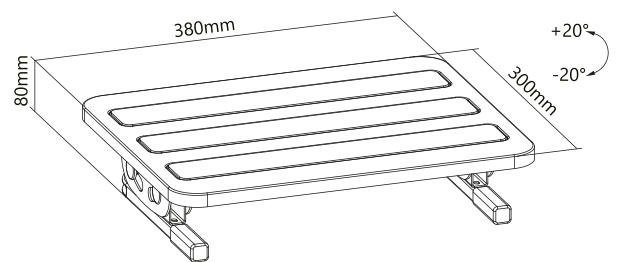
**Ergonomic Tilttable Steel Foot Rest**



**Blood Circulation**



**Muscle Stiffness**



Item No.	FR200
Work Surface Size	380x300x80mm
Work Surface Material	Steel
Angle Adjustment	+20°--20°
Weight Capacity	20kg/44lbs